



Item	Qty.	Part#	Description
1	1	1548-1	Winch Mount Plate
2	1	1600W	Roller Fairlead
3	2	HDW2050	5/16" x 3/4" Hex Head Bolts
4	4	HDW2150	5/16" x 1-1/8" x 1-3/4" U-Bolts
5	10	HDW7058	5/16" Nylock Nuts
6	8	HDW9002	5/16" Flat Washers

KAWASAKI

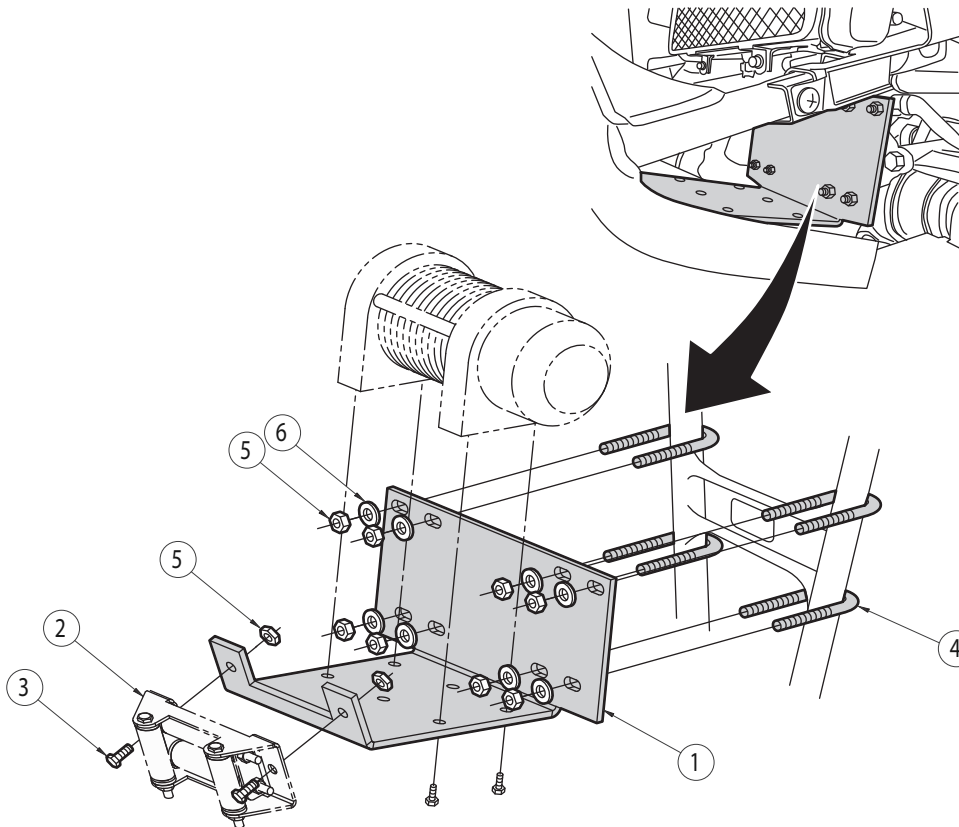
'07 750 Brute Force 4x4

WINCH MOUNTING INSTRUCTIONS

P/N: 4505-0254

CUSTOMER MUST RECEIVE A COPY
OF THIS INSTRUCTION SHEET AT
THE TIME OF SALE

1. Remove the upper plastic bumper. Retain hardware.
2. Remove the two bolts that attach the lower plastic bumper for easier access.
3. Attach the Winch Mount Plate (1) using the four U-bolts (4), eight 5/16" Flat Washers (6) and eight 5/16" Nylock Nuts (5) as illustrated.
4. Attach the Roller Fairlead (2) to the winch mount plate using the two 5/16" x 3/4" Hex Head Bolts (3) and two 5/16" Nylock Nuts (5).
5. Reattach the plastic OEM bumpers using the hardware retained.



FOR QUESTIONS OR COMMENTS PLEASE CALL THE MANUFACTURER: **763-689-4800**

All images used are copyrighted property of CMP and may not be used without permission.

Inst1548

09/27/06