



Item	Part #	Qty.	Description
1	1602-1	1	Winch Mount Plate
2	1600W	1	Roller Fairlead
3	HDW2050	2	5/16" x 3/4" Hex Head Bolts
4	HDW2052	4	5/16" x 1-3/4" Hex Head Bolt
5	HDW7058	6	5/16" Nylock Nuts
6	HDW9002	4	5/16" Flat Washers

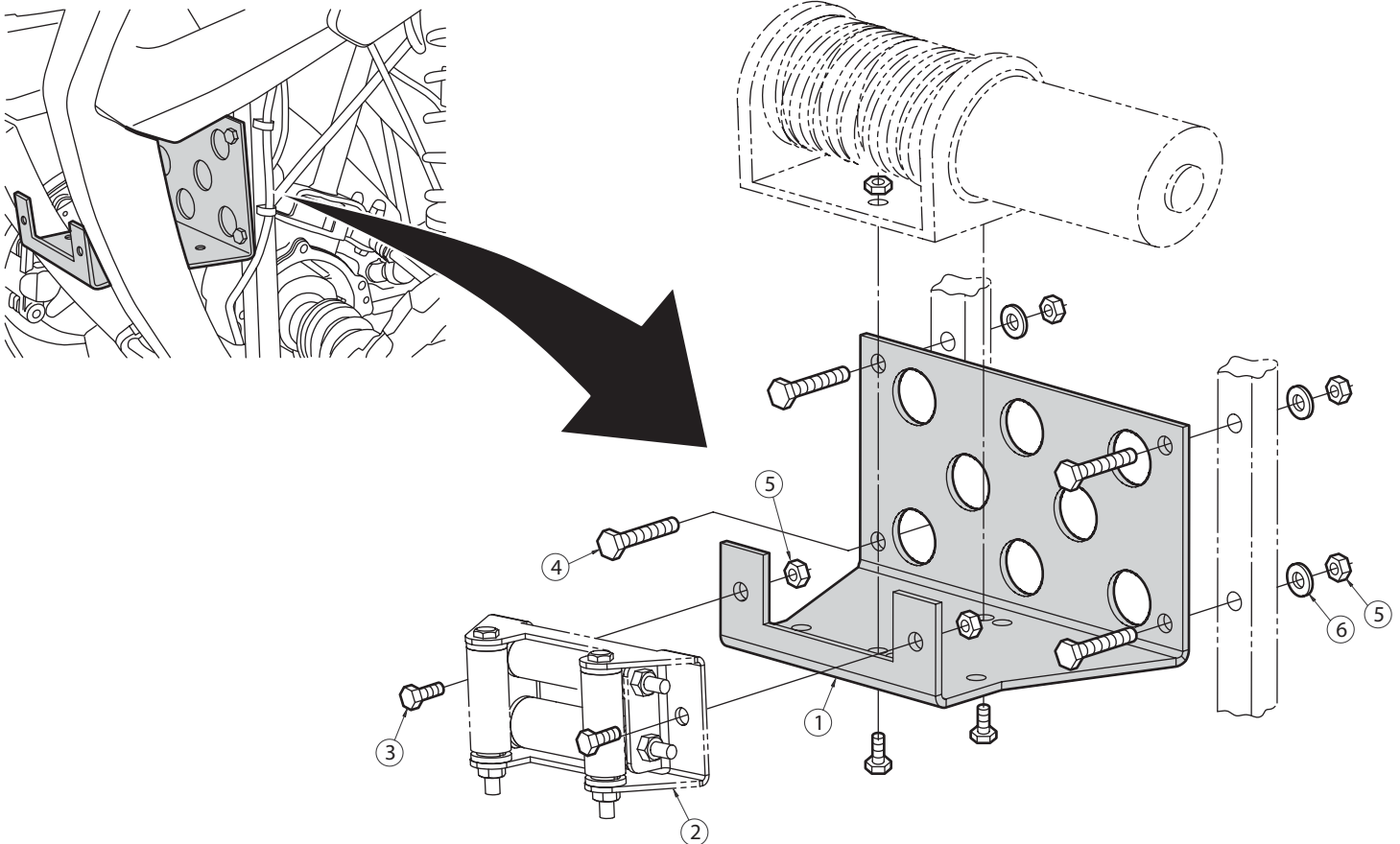
Polaris '06 300 Hawkeye

WINCH MOUNTING INSTRUCTIONS

P/N: 4505-0208

CUSTOMER MUST RECEIVE A COPY
OF THIS INSTRUCTION SHEET AT
THE TIME OF SALE

1. Position the Winch Mount Plate (1) over the holes provided on the Hawkeye frame.
2. Insert the four 5/16" x 1-3/4" Hex Head Bolts (4) as illustrated .
3. Place the four 5/16" Flat Washers (6) and four 5/16" Nylock Nuts (5) onto each bolt and tighten
4. Attach and tighten the Roller Fairlead (2) by inserting the two 5/16" x 3/4" Hex Head Bolts (3) and two 5/16" Nylock Nuts (5).
5. Attach the winch per illustration.



FOR QUESTIONS OR COMMENTS PLEASE CALL THE MANUFACTURER: 763-689-4800

All images used are copyrighted property of CMP and may not be used without permission.

Inst1602 04/03/06