



## 05-06 John Deere 500 & 650 Trail Buck

### Winch Mounting Instructions

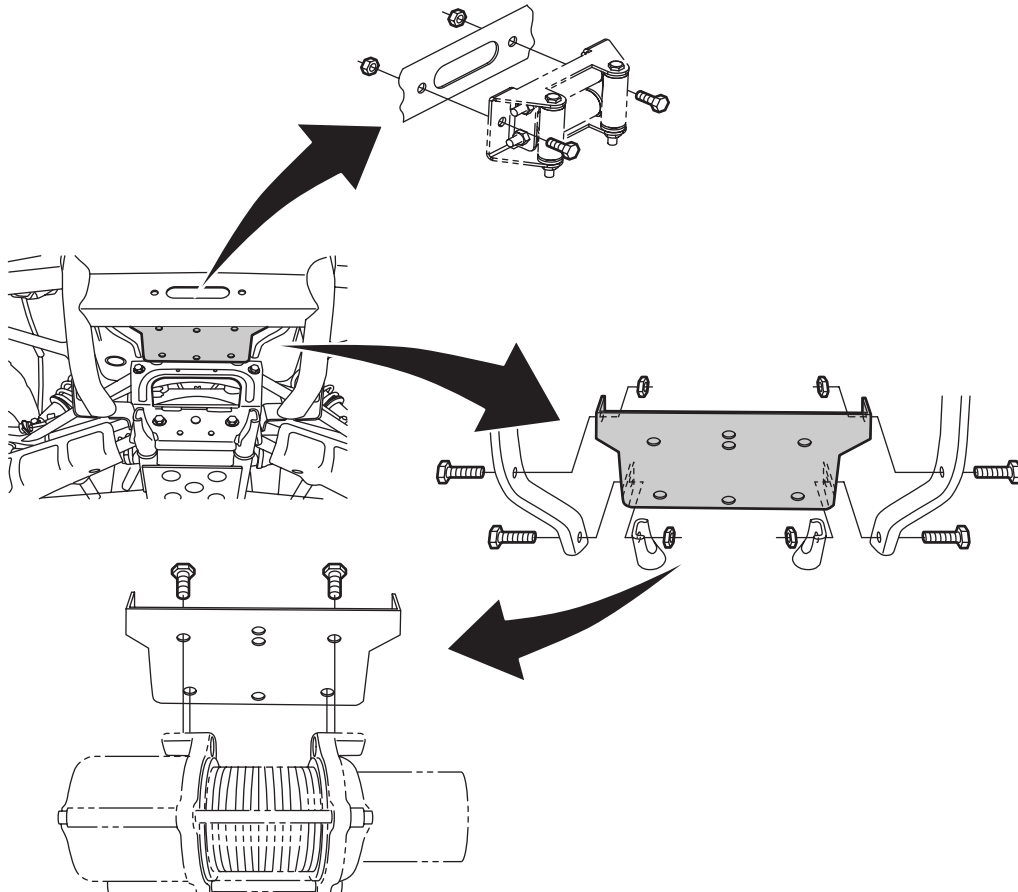
**P/N: 4505-0067**

Qty.	Part #	Description
1	1515-1	Winch Mount
1	1600W	Roller Fairlead
6	HDW2050	5/16" x 3/4" Hex Bolts
6	HDW7058	5/16" Nylock Nuts

**CUSTOMER MUST RECEIVE A COPY  
OF THIS INSTRUCTION SHEET AT  
THE TIME OF SALE**

#### INSTRUCTIONS:

1. Remove the front plastic bumper wrap.
2. Remove middle and lower bumper bolts and retain.
3. Install the winch mount per the illustration, using the original nuts and bolts.
4. Install the winch to the mount using the hardware provided with the winch.
6. **Optional:** Place the plastic bumper wrap against the bumper and mark the opening for the roller fairlead. Cut the plastic bumper wrap where marked. Replace the wrap using the bolts you removed.
7. Install the roller fairlead to the front of the mount using (2) 5/16" x 3/4" bolts and 5/16" Nylock nuts provided (rollers should turn freely). **Note:** Bottom roller may need to be removed to run wire rope through.
8. Using the instructions provided with the winch, wire accordingly.



For Questions or Comments Please Call the Manufacturer: **763-689-4800**