



'05 Kawasaki 650 Brute Force 4x4

WINCH MOUNTING INSTRUCTIONS

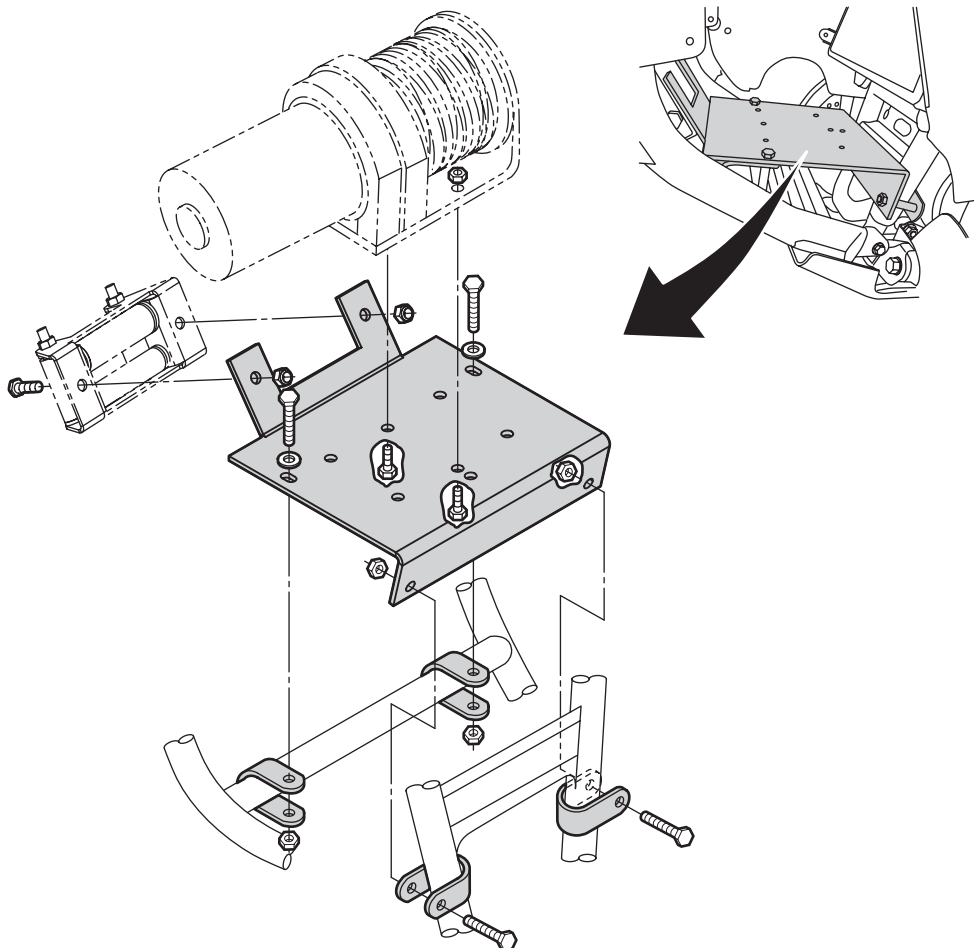
P/N: 4505-0066

Part #	Qty.	Description
1538-1	1	Winch Mount
1600W	1	Roller Fairlead
FG654P	2	1.25 dia. x 1/8" thick x 1" wide U-Clamps
FG809	2	1.125 dia. x 1/8" thick x 1" wide U-Clamps
HDW2050	2	5/16" x 3/4" Hex Bolts
HDW2056	2	5/16" x 2" Hex Bolts
HDW2066	2	5/16" x 2-1/4" Hex Bolts
HDW7058	6	5/16" Nylock Nuts
HDW9002	2	5/16" Flat Washer

CUSTOMER MUST RECEIVE A COPY
OF THIS INSTRUCTION SHEET AT
THE TIME OF SALE

INSTRUCTIONS:

1. Remove one of the side panels and the plastic shelf where the winch mount plate will go.
2. Install the winch to the winch mount using the hardware provided with the winch.
3. Install the winch and mount behind the front bumper per the diagram, using the 2 larger U-Clamps and the 2-1/4" bolts (with the 2 washers under the heads) in the front mounting holes and the 2 smaller U-Clamps and 2" bolts in the rear. Install and tighten the nylock nuts.
4. Install the roller fairlead to the winch mount using (2) 5/16" x 3/4" bolts and 5/16" nylock nuts provided (rollers should turn freely). **NOTE:** Bottom roller may need to be removed to run wire rope through.
5. Using the instructions provided with the winch, wire accordingly.



FOR QUESTIONS OR COMMENTS PLEASE CALL THE MANUFACTURER: 763-689-4800

All images used are copyrighted property of CMP and may not be used without permission.

Inst1538 02/07/05